



**ENVIRO  
AUTOMOTIVE**



**DFSK**



**DFSK EC35 ELECTRIC VAN**

[www.enviroauto.co.za](http://www.enviroauto.co.za)

# MEET THE DFSK EC35 VAN

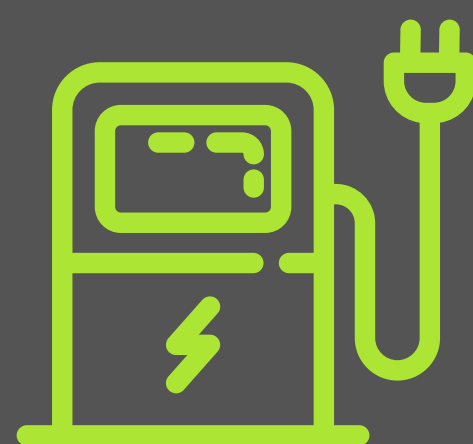
A 2-SEATER ELECTRIC VAN WITH A RANGE OF UP TO 280KM<sup>1</sup> AND A LARGE CARGO AREA.



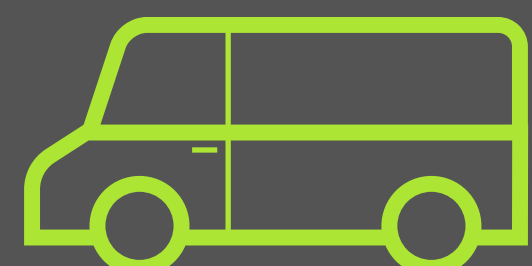




**UP TO 280KM<sup>1</sup> ELECTRIC RANGE**



**RAPID CHARGE IN 1 HOUR**



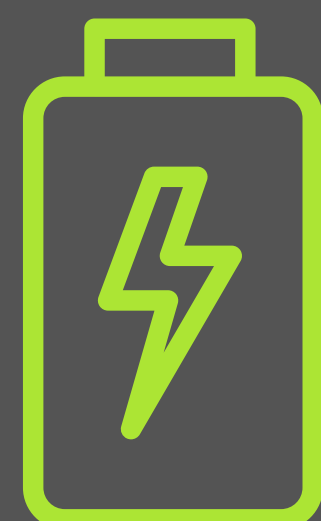
**LARGE CARGO AREA OF 4.8M<sup>3</sup>**



**1015 KG PAYLOAD**



**5 YEAR / 60 000 KM VEHICLE WARRANTY**



**5 YEAR TRACTION BATTERY WARRANTY**

## **RANGE AND CHARGING**

FILLING THE DFSK EC35 BATTERIES WILL COST AS LITTLE AS R56.50<sup>1</sup>, AND WILL YIELD A TRAVEL DISTANCE OF UP TO 280KM<sup>1</sup>. THAT'S ONLY 25C PER KM! AN INDICATOR ON THE DASHBOARD HIGHLIGHTS THE VAN'S REMAINING BATTERY CAPACITY, SO YOU CAN EASILY PLAN YOUR CHARGING REQUIREMENTS. EQUIPPED WITH CCS TYPE 2 CHARGING, THE DFSK EC35 CAN CONVENIENTLY BE RECHARGED AT OVER 300 FAST AND RAPID PUBLIC CHARGING POINTS ACROSS SOUTH AFRICA. WITH A RAPID CHARGER, YOU CAN CHARGE THE BATTERY UP TO 80% (OR 200KM) IN LESS THAN 60 MINUTES. USING A 7KW HOME CHARGING POINT, IT WILL TAKE ABOUT 6 HOURS FOR A FULL CHARGE.

## **DRIVER COMFORT**

DRIVERS OF THE DFSK EC35 BENEFIT FROM A SELECTION OF MODERN DRIVER COMFORTS, INCLUDING AIR CONDITIONING, REVERSING CAMERA AND SENSORS, BLUETOOTH, DAB AND ANDROID AUTO™ AND APPLE CARPLAY®.

## **LOAD CAPACITY**

DESIGNED WITH CARGO CAPACITY IN MIND, THE 2-SEATER DFSK EC35 HAS A LARGE CARGO AREA OF 4.8M<sup>3</sup> AND A MAXIMUM PAYLOAD OF 1,015KG. THE PRACTICAL LOAD COMPARTMENT IS ACCESSIBLE VIA SLIDING DOORS ON BOTH SIDES OF THE VAN AND A TAILGATE, MAKING LOADING AND OFFLOADING A BREEZE.

## **WARRANTY**

3 YEAR / 60 000KM SERVICE PLAN AND WARRANTY INCLUDING 5 YEARS WARRANTY ON THE TRACTION BATTERY. MAINTENANCE REQUIRED IS MINIMAL, DONE EVERY 12 MONTHS / 20,000KM.

OFFICIAL RANGE FIGURES FOR THE DFSK EC35 UNDER WLTP TEST CONDITIONS ARE UP TO 280KM (AT A TOP SPEED OF 80KM/H). THE DFSK IS A BATTERY ELECTRIC VEHICLE THAT REQUIRES ELECTRICITY FOR CHARGING. THE INTERVAL DATA WAS DETERMINED ACCORDING TO THE METHODOLOGY OF THE WLTP TEST PROCEDURE. THE FIGURES SHOWN ARE FOR COMPARISON PURPOSES ONLY AND SHOULD ONLY BE COMPARED WITH OTHER VEHICLES TESTED TO THE SAME TECHNICAL STANDARD. THE RANGE ACHIEVED UNDER REAL DRIVING CONDITIONS WILL DEPEND ON A NUMBER OF FACTORS, INCLUDING BUT NOT LIMITED TO: ACCESSORIES FITTED (PRE AND POST REGISTRATION), DRIVING STYLE AND CONDITIONS, VEHICLE PAYLOAD, WEATHER CONDITIONS, USE OF THE HEATING / AIR CONDITIONING AND BATTERY CONDITION. COST PER CHARGE/KM CALCULATED USING ESKOM'S BUSINESS CUSTOMER FEES OF R1.46 PER KWH, AS APPLICABLE FROM 1 APRIL 2022. ALL INFORMATION ABOVE CORRECT AS OF JUNE 2022.







# VOLUMES, WEIGHTS AND DIMENSIONS

## DIMENSIONS - VEHICLE

Length (mm)	4,500
-------------	-------

Width (mm)	1,680
------------	-------

Height (mm)	1,985
-------------	-------

Wheelbase (mm)	2,910
----------------	-------

Gross vehicle weight (kg)	2,600
---------------------------	-------

Curb weight (kg)	1,520
------------------	-------

# VOLUMES, WEIGHTS AND DIMENSIONS

## DIMENSIONS - CARGO AREA

---

Volume (M <sup>3</sup> )	4.8
--------------------------	-----

---

Length (mm)	2,570
-------------	-------

---

Max width (mm)	1,630
----------------	-------

---

Height (mm)	1,270
-------------	-------

---

Rear Loading Height (mm)	950, 755
--------------------------	----------

---

Payload (kg)	1,015
--------------	-------

# POWERTRAIN

<b>Motor Type</b>	<b>Permanent Magnet Synchronous Motor</b>
<b>Maximum Power</b>	<b>60kW</b>
<b>Maximum Torque</b>	<b>200Nm</b>
<b>Disc Axle Speed Ratio</b>	<b>10.5</b>
<b>Battery Type</b>	<b>Lithium Iron Phosphate Battery</b>
<b>Battery Capacity</b>	<b>38.6kWh</b>
<b>Energy Consumption</b>	<b>14.7kWh</b>
<b>Voltage</b>	<b>345</b>

# KEY SPECIFICATIONS

## INTERIOR

**Air Conditioning**

---

**Ignition off auto unlock**

---

**Auto lights and wipers**

---

**Manually adjustable driver and passenger seats**

---

**Bulkhead with glazed observation port**

---

**Multimedia system with 6.8" touchscreen**

---

**Cargo area with light and headlining**

---

**Slip-proof cargo area floor**

---

**Cloth seats**

---

**USB connectivity**

---

**Electric front windows**

**Full size spare wheel**





# KEY SPECIFICATIONS

## EXTERIOR

Dual sliding doors

Rear fog lamp

Front disc brakes and rear drum brakes

Rear lift tailgate

Halogen headlights and rear lights

Tires: 185 / 80 R14

## CONVENIENCE

DAB Radio

Rear parking sensors

ANDROID AUTO™

Reversing camera

Apple Car Play®

5 metre Type 2 to Type 2 32A charging cable

Bluetooth with voice control

Remote central locking

## SAFETY & SECURITY

Auto door locking

Immobiliser

Central locking

Lockable charge port

Driver airbag

Pedestrian warning sound

# RANGE, BATTERY AND PERFORMANCE

## RANGE

Top speed (kmph)	80/100
Battery capacity (kWh)	38.6
WLTP' EV Range - city (km)	280KM

## CHARGING

AC (up to 6.6 kW)	6 hours to 100%
DC (up to 40 kW)	60 minutes to 80%
DC (up to 40 kW)	90 minutes to 100%

OFFICIAL RANGE FIGURES FOR THE DFSK EC35 UNDER WLTP TEST CONDITIONS ARE UP TO 280KM (AT A TOP SPEED OF 80KM/H). THE DFSK IS A BATTERY ELECTRIC VEHICLE THAT REQUIRES ELECTRICITY FOR CHARGING. THE INTERVAL DATA WAS DETERMINED ACCORDING TO THE METHODOLOGY OF THE WLTP TEST PROCEDURE. THE FIGURES SHOWN ARE FOR COMPARISON PURPOSES ONLY AND SHOULD ONLY BE COMPARED WITH OTHER VEHICLES TESTED TO THE SAME TECHNICAL STANDARD. THE RANGE ACHIEVED UNDER REAL DRIVING CONDITIONS WILL DEPEND ON A NUMBER OF FACTORS, INCLUDING BUT NOT LIMITED TO: ACCESSORIES FITTED (PRE AND POST REGISTRATION), DRIVING STYLE AND CONDITIONS, VEHICLE PAYLOAD, WEATHER CONDITIONS, USE OF THE HEATING / AIR CONDITIONING AND BATTERY CONDITION. COST PER CHARGE/KM CALCULATED USING ESKOM'S BUSINESS CUSTOMER FEES OF R1.46 PER KWH, AS APPLICABLE FROM 1 APRIL 2022. ALL INFORMATION ABOVE CORRECT AS OF JUNE 2022.

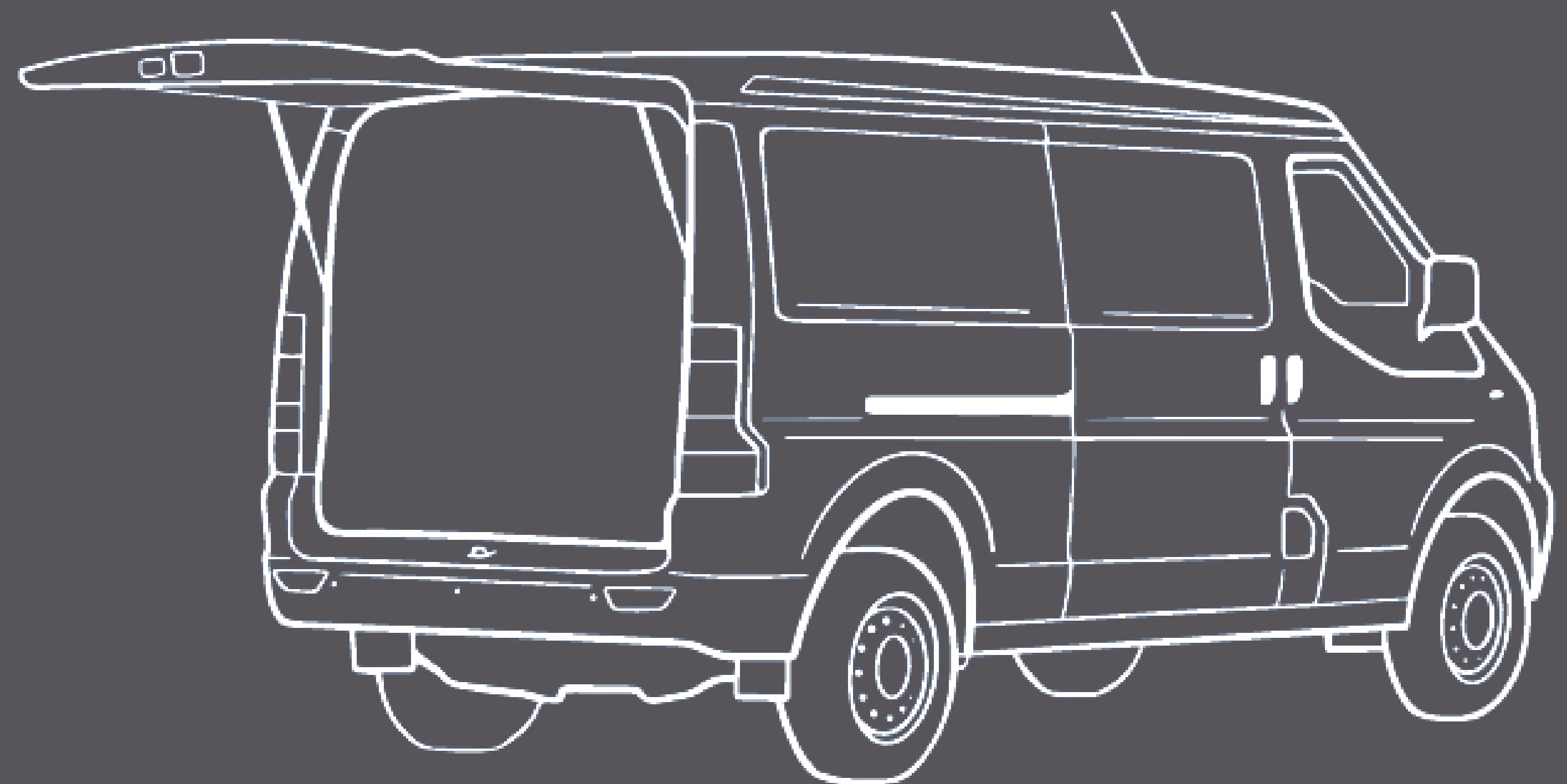
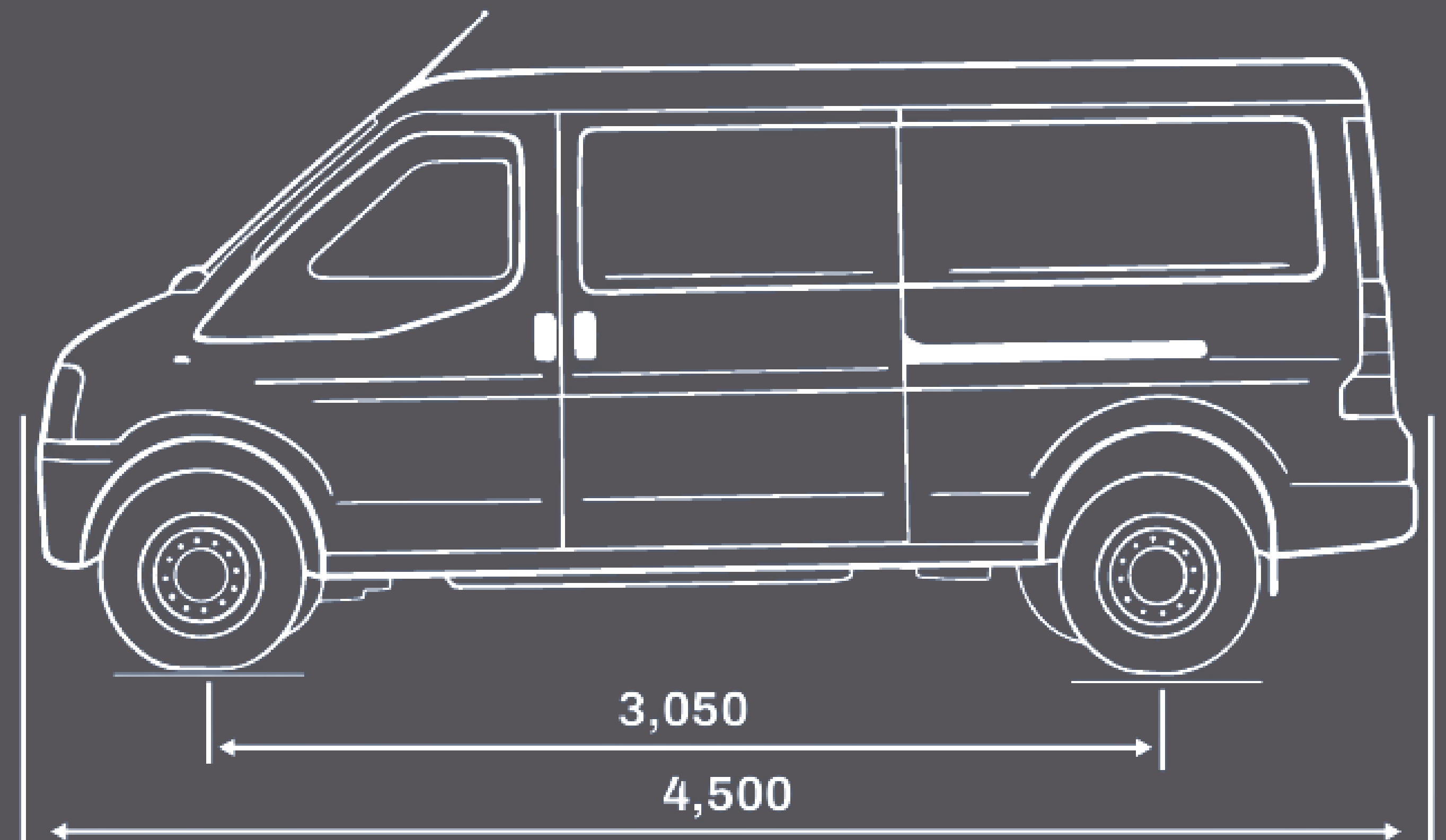
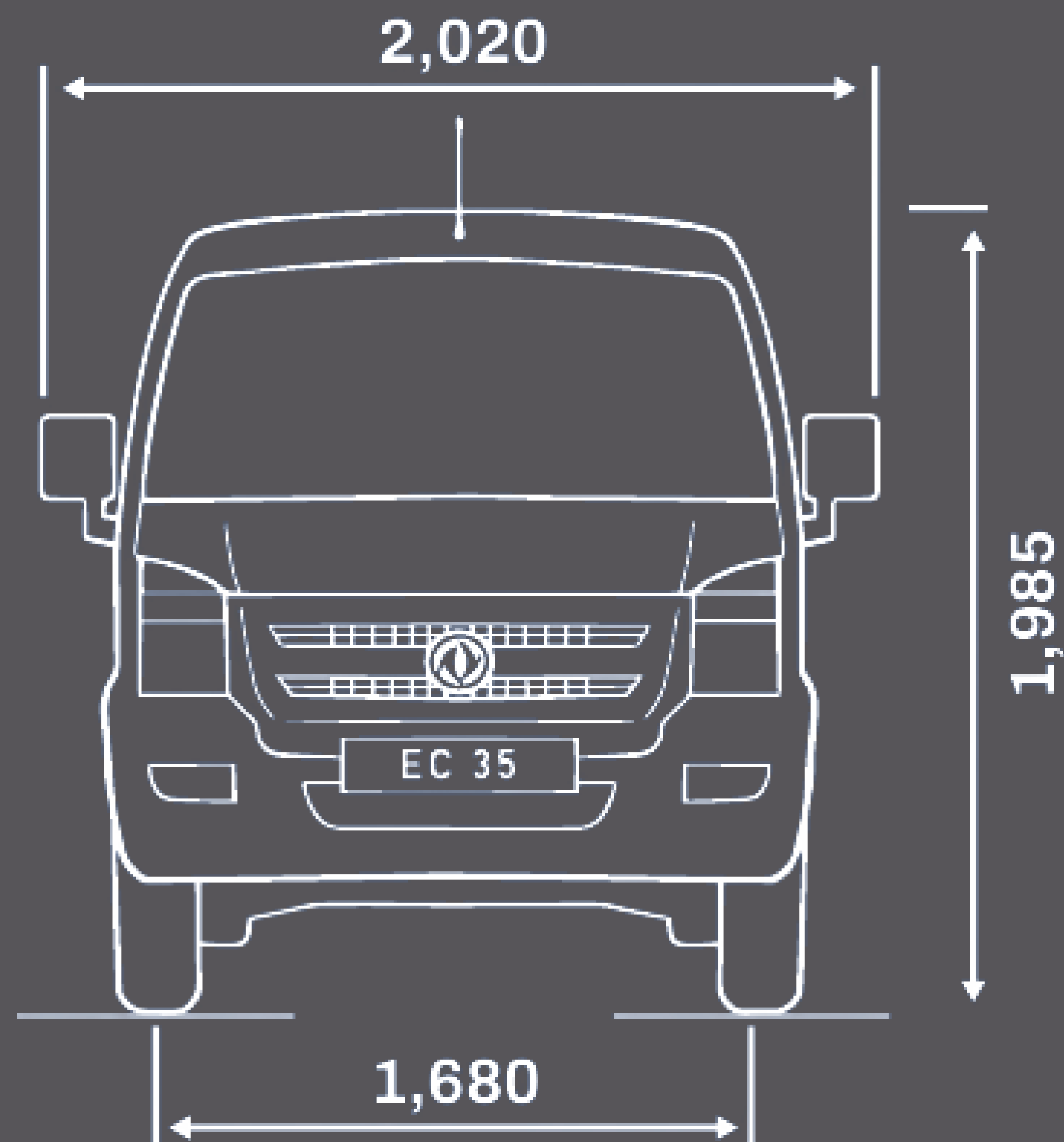


# TECHNICAL DATA

<b>Passengers</b>	<b>2</b>
<b>Shift control mechanism</b>	<b>Knob</b>
<b>Driving system</b>	<b>Rear motor, rear drive</b>
<b>Front suspension</b>	<b>McPherson strut</b>
<b>Rear suspension</b>	<b>Leaf spring</b>
<b>Brakes</b>	<b>Front disc, rear drum, manual handbrake</b>
<b>Steering</b>	<b>Electronic Power Steering</b>
<b>Rated/peak torque (N.m)</b>	<b>80</b>

# LINE DRAWINGS

THE DFSK EC35'S DIMENSIONS AND CARGO SPACE LEND IT TO MANY DIFFERENT APPLICATIONS. THE SPACIOUS AND EASILY ACCESSIBLE CARGO HOLD IS WELL-SUITED TO LAST-MILE DELIVERY APPLICATIONS.





# PRICE AND PURCHASING

THE DFSK EC 35 IS AVAILABLE FOR PURCHASE FOR \$33 000,00 + VAT

PRICE	VEHICLE
<b>\$38 300,00 + 15% VAT</b>	<b>X 1 VEHICLE</b>
<b>\$37 100,00 + 15% VAT</b>	<b>X 5 VEHICLES</b>
<b>\$36 000,00 + 15% VAT</b>	<b>X 10 VEHICLES</b>

PRICE SUBJECT TO EXCHANGE RATE FLUCTUATION.

FINANCING AVAILABLE THROUGH WESTBANK.

# WARRANTY AND SERVICING



## WARRANTY

3 YEAR / 60 000KM SERVICE PLAN AND WARRANTY INCLUDING 5 YEARS WARRANTY ON THE TRACTION BATTERY. MAINTENANCE REQUIRED IS MINIMAL, DONE EVERY 12 MONTHS / 20,000KM. WARRANTY IS MANAGED BY ENVIRO AUTOMOTIVE.



## SERVICING

WE ARE IN CONVERSATION WITH BOSCH AND OTHER SERVICE PROVIDERS AT THE MOMENT. ONCE OUR WORKING AGREEMENTS ARE IN PLACE CUSTOMERS WILL BE ABLE TO SERVICE THEIR VEHICLES AT ANY OF BOSCH'S SERVICE CENTRES. IN THE INTERIM WE HAVE SERVICE VEHICLES THAT WILL COME TO OUR CUSTOMERS TO SERVICE THEIR VEHICLES.





**ENVIRO**  
**AUTOMOTIVE**



**DFSK**



[sales@enviroauto.co.za](mailto:sales@enviroauto.co.za) / +27 82 857 9582

[www.enviroauto.co.za](http://www.enviroauto.co.za)